

# 90W Triac Dimmable LED Drivers

**multicomp** PRO

**RoHS  
Compliant**

## Features

- Constant voltage/ PWM Output
- Leading & Trailing edge dimmable
- AC input: 200V AC to 240V AC
- Built-in active PFC function
- Efficiency up to 86%
- Protections: Short circuit/ Over loading/ Over current/ Over temperature
- Full protection plastic housing easy installation
- Cooling by free air convection
- Suitable for LED lighting and moving signs



Models	MP007728	MP007729
<b>Output Specifications</b>		
Output Voltage	12V	24V
Voltage Tolerance	±0.5V	
Output Current	7.5A	3.75A
Rated Power	90W	
<b>Input Specifications</b>		
Input Voltage	200V AC to 240V AC	
Frequency Range	47Hz to 63Hz	
Inrush Current	68A (Twidth=130µs 230V AC)	
Full Load Efficiency (Typ.)	86%	
AC Current (Max.)	0.65A	
Leakage Current	<0.5mA	
Power Factor	PF>0.98/200V AC PF>0.98/230V AC PF>0.98/240V AC (Full Loading)	
<b>Protection</b>		
Short Circuit	Shut down o/p voltage, re-power on to recover after fault condition is removed	
Over Loading	≤120%, shut down o/p voltage, re-power on to recover	
Over Current	≤1.2 *I out	
Over Temperature	100°C ±10°C shut down o/p voltage, re-power on to recover	
<b>Environment</b>		
Working Temperature	-40 to +70°C (Refer to derating curve)	
Working Humidity	20% to 90% RH, non-condensing	
Storage Temperature, Humidity	-40°C to +80°C, 10% RH to 95% RH	
Temperature Coefficient	±0.03%/°C (0°C to 50°C)	
Vibration	10Hz to 500Hz, 2G 10min./ 1 cycle, period for 72min.each along X, Y, Z axes	
<b>Safety &amp; EMC</b>		
Safety Standards	EN61347-1, EN61347-2-13	
Withstand Voltage	I/P-O/P: 3.75KV AC	
Isolation Resistance	I/P-O/P: 100MΩ/500VDC/25°C/70%RH	
EMC Emission	Compliance to EN55015, EN61000-3-2,3 (>60%load)	

Newark.com/multicomp-pro  
Farnell.com/multicomp-pro  
Element14.com/multicomp-pro

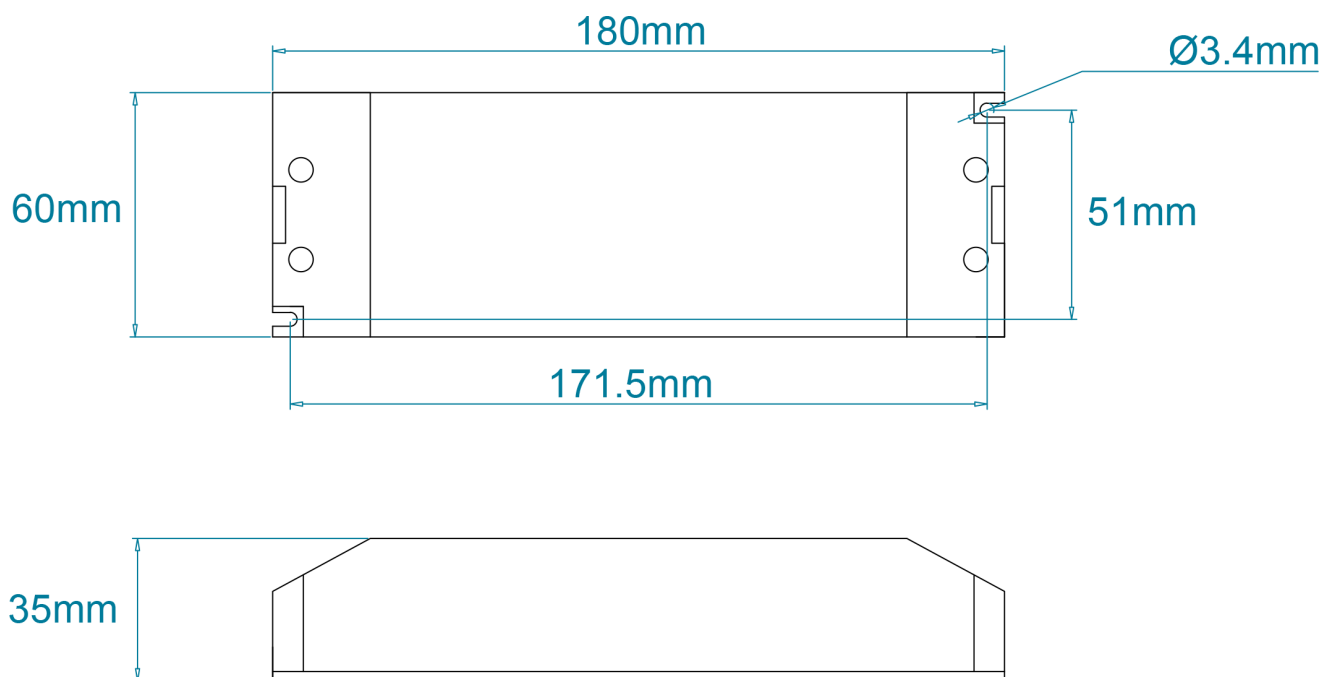
**multicomp** PRO

# 90W Triac Dimmable LED Drivers

**multicomp** PRO

Models	MP007728	MP007729
<b>Other Specifications</b>		
Weight	0.45 Kg	
Size	180mm × 60mm × 35mm	
Packing	355mm × 215mm × 215mm (20PCS/CTN)	

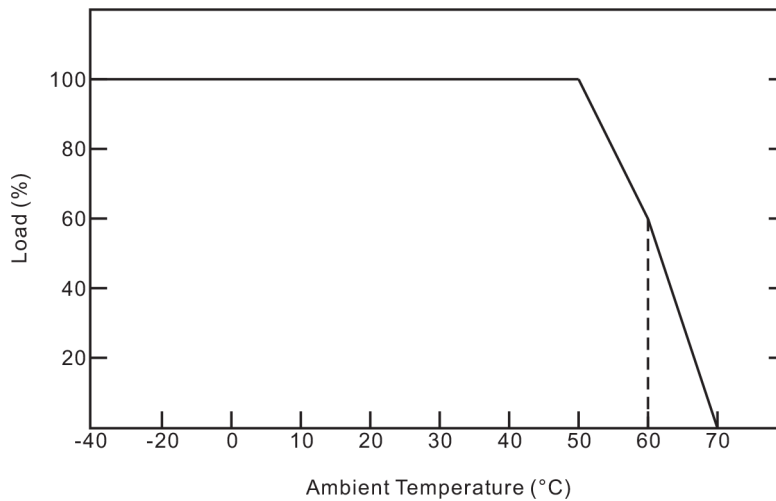
## Mechanical Specification



Dimensions : Millimetres

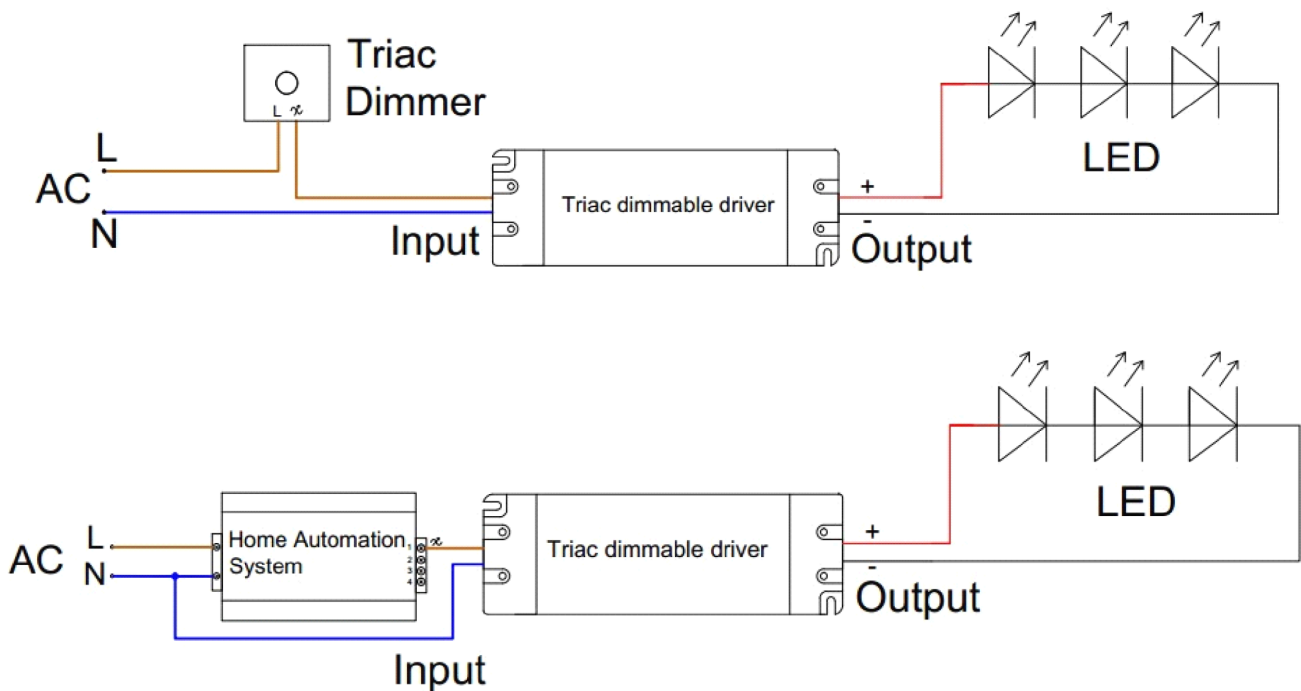
# 90W Triac Dimmable LED Drivers

## Derating Curve



## Connecting Diagram

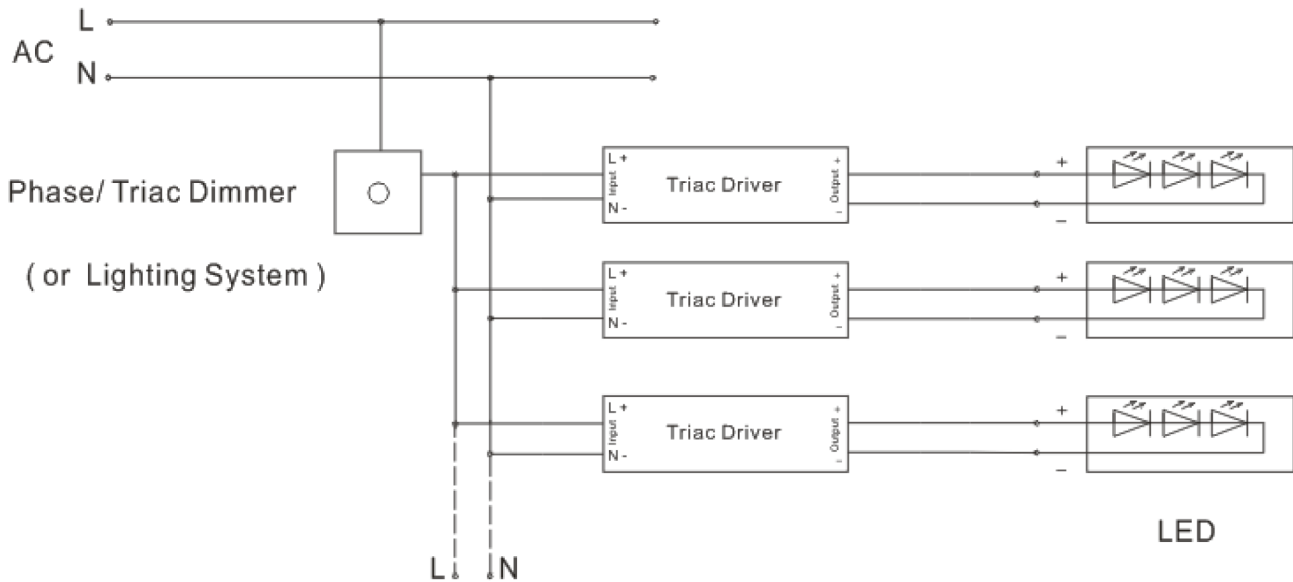
- Single Driver Connecting Diagram



# 90W Triac Dimmable LED Drivers

## Connecting Diagram

### ■ Multiple Drivers Connecting Diagram



## Part Number Table

Description	Part Number
Triac Dimmable LED Driver, 90W, 12V, IP20	MP007728
Triac Dimmable LED Driver, 90W, 24V, IP20	MP007729

**Important Notice :** This data sheet and its contents (the "Information") belong to the members of the AVNET group of companies (the "Group") or are licensed to it. No licence is granted for the use of it other than for information purposes in connection with the products to which it relates. No licence of any intellectual property rights is granted. The Information is subject to change without notice and replaces all data sheets previously supplied. The Information supplied is believed to be accurate but the Group assumes no responsibility for its accuracy or completeness, any error in or omission from it or for any use made of it. Users of this data sheet should check for themselves the Information and the suitability of the products for their purpose and not make any assumptions based on information included or omitted. Liability for loss or damage resulting from any reliance on the Information or use of it (including liability resulting from negligence or where the Group was aware of the possibility of such loss or damage arising) is excluded. This will not operate to limit or restrict the Group's liability for death or personal injury resulting from its negligence. DURATOOL is the registered trademark of Premier Farnell Limited 2019.