

30W Triac Dimmable LED Drivers

multicomp PRO

**RoHS
Compliant**



Features

- Constant voltage/ PWM Output
- Leading & Trailing edge dimmable
- AC input: 200V AC to 240V AC
- Built-in active PFC function
- Efficiency up to 79%
- Protections: Short circuit/ Over loading/ Over current/ Over temperature
- Full protection plastic housing easy installation
- Cooling by free air convection
- Suitable for LED lighting and moving signs

| Models | MP007724 | MP007725 |
|-------------------------------|--|----------|
| Output Specifications | | |
| Output Voltage | 12V | 24V |
| Voltage Tolerance | ±0.5V | |
| Output Current | 2.5A | 1.25A |
| Rated Power | 30W | |
| Input Specifications | | |
| Input Voltage | 200V AC to 240V AC | |
| Frequency Range | 47Hz to 63Hz | |
| Inrush Current | 30A (Twidth=90µs 230V AC) | |
| Full Load Efficiency (Typ.) | 79% | |
| AC Current (Max.) | 0.22A | |
| Leakage Current | <0.5mA | |
| Power Factor | PF>0.97/200V AC PF>0.97/230V AC PF>0.97/240V AC (Full Loading) | |
| Protection | | |
| Short Circuit | Shut down o/p voltage, re-power on to recover after fault condition is removed | |
| Over Loading | ≤120%, shut down o/p voltage, re-power on to recover | |
| Over Current | ≤1.2 *I out | |
| Over Temperature | 100°C ±10°C shut down o/p voltage, re-power on to recover | |
| Environment | | |
| Working Temperature | -40 to +70°C (Refer to derating curve) | |
| Working Humidity | 20% to 90% RH, non-condensing | |
| Storage Temperature, Humidity | -40°C to +80°C, 10% RH to 95% RH | |
| Temperature Coefficient | ±0.03%/°C (0°C to 50°C) | |
| Vibration | 10Hz to 500Hz, 2G 10min./ 1 cycle, period for 72min.each along X, Y, Z axes | |
| Safety & EMC | | |
| Safety Standards | EN61347-1, EN61347-2-13 | |
| Withstand Voltage | I/P-O/P: 3.75KV AC | |
| Isolation Resistance | I/P-O/P:100MΩ/500V DC/25°C/70%RH | |
| EMC Emission | Compliance to EN55015, EN61000-3-2,3 (>60%load) | |

Newark.com/multicomp-pro
Farnell.com/multicomp-pro
Element14.com/multicomp-pro

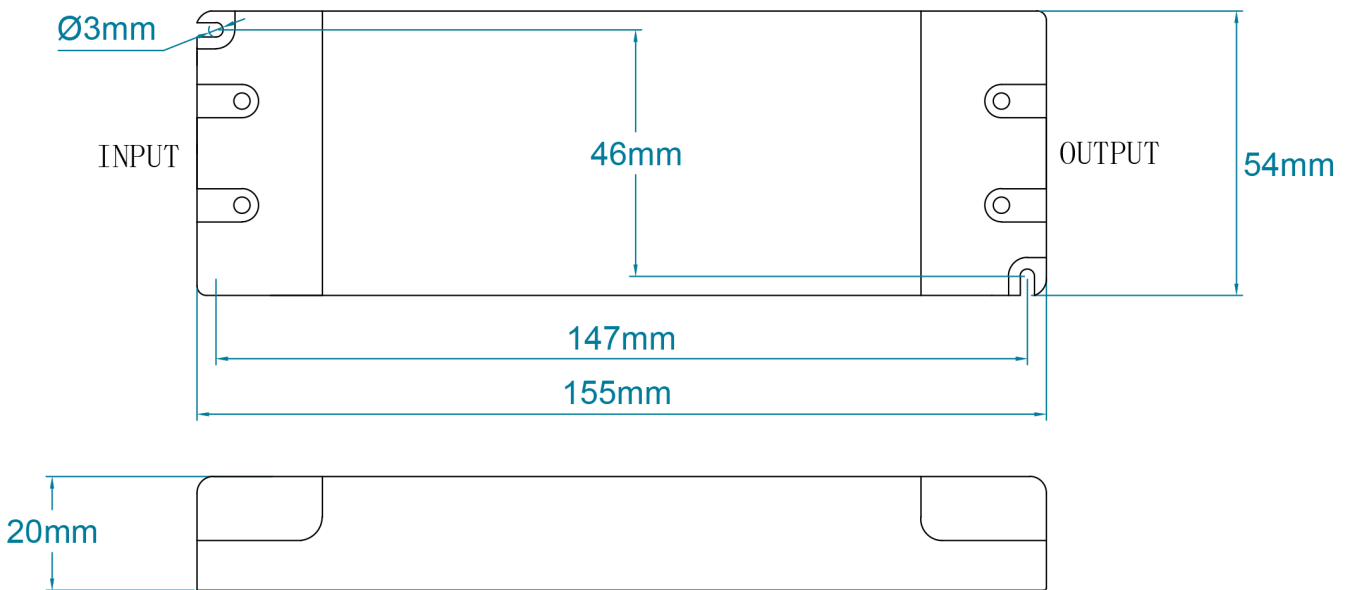
multicomp PRO

30W Triac Dimmable LED Drivers

multicomp PRO

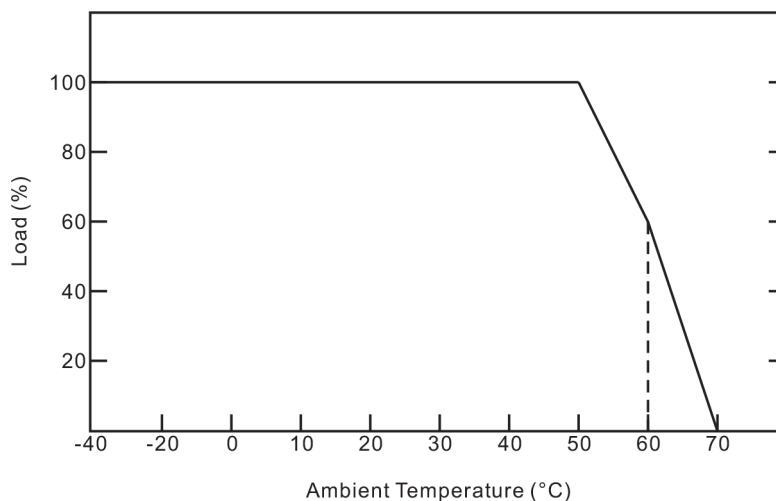
| Models | MP007724 | MP007725 |
|-----------------------------|--|----------|
| Other Specifications | | |
| Weight | 0.21 Kg | |
| Size | 155mm × 54mm × 20mm | |
| Packing | 160mm × 60mm × 23mm (inner box), 350mm × 240mm × 130mm (40PCS/CTN) | |

Mechanical Specification



Dimensions : Millimetres

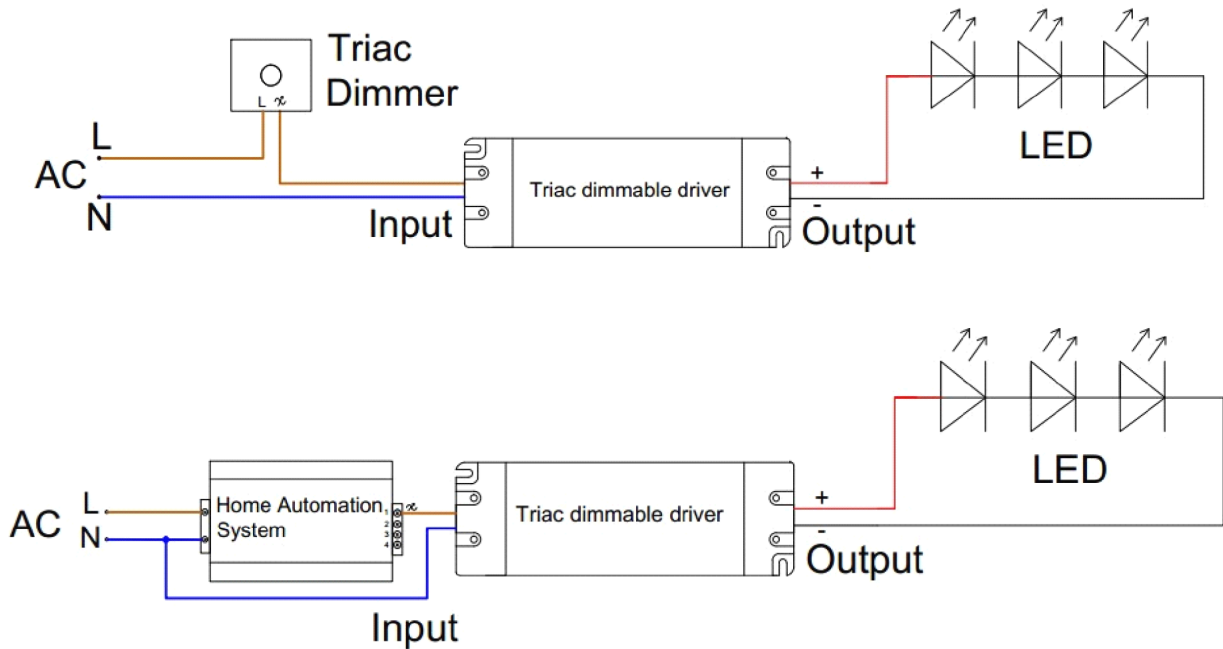
Derating Curve



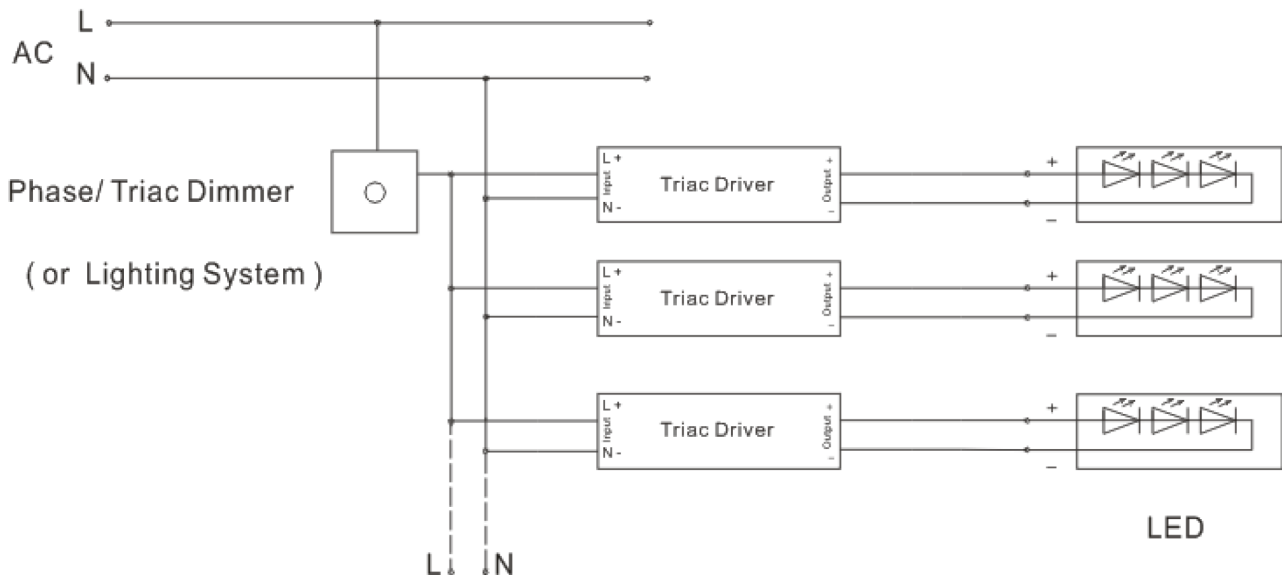
30W Triac Dimmable LED Drivers

Connecting Diagram

■ Single Driver Connecting Diagram



■ Multiple Drivers Connecting Diagram



30W Triac Dimmable LED Drivers

multicompPRO

Part Number Table

| Description | Part Number |
|---|-------------|
| Triac Dimmable LED Driver, 30W, 12V, IP20 | MP007724 |
| Triac Dimmable LED Driver, 30W, 24V, IP20 | MP007725 |

Important Notice : This data sheet and its contents (the "Information") belong to the members of the AVNET group of companies (the "Group") or are licensed to it. No licence is granted for the use of it other than for information purposes in connection with the products to which it relates. No licence of any intellectual property rights is granted. The Information is subject to change without notice and replaces all data sheets previously supplied. The Information supplied is believed to be accurate but the Group assumes no responsibility for its accuracy or completeness, any error in or omission from it or for any use made of it. Users of this data sheet should check for themselves the Information and the suitability of the products for their purpose and not make any assumptions based on information included or omitted. Liability for loss or damage resulting from any reliance on the Information or use of it (including liability resulting from negligence or where the Group was aware of the possibility of such loss or damage arising) is excluded. This will not operate to limit or restrict the Group's liability for death or personal injury resulting from its negligence. DURATOOL is the registered trademark of Premier Farnell Limited 2019.

Newark.com/multicomp-pro
Farnell.com/multicomp-pro
Element14.com/multicomp-pro

multicompPRO