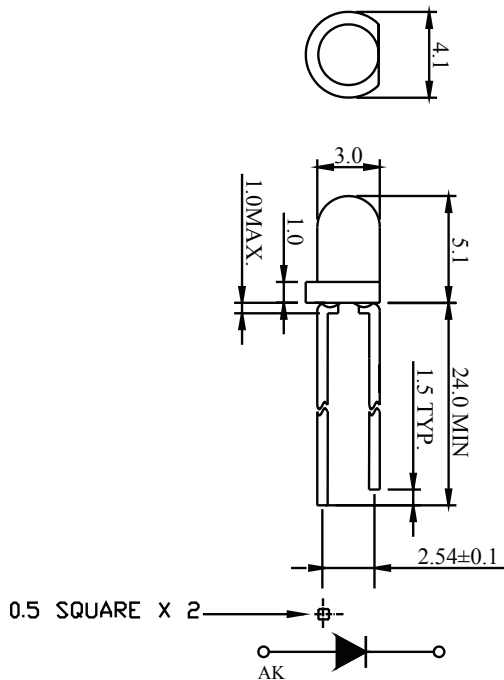


Package Dimensions:

**RoHS
Compliant**



Features:

- Green LED lamp
- Made with GaP / GaP chip and water clear epoxy resin

All dimensions are in mm
Tolerance: $\pm 0.25\text{mm}$

Absolute Maximum Ratings at $T_a=25^\circ\text{C}$

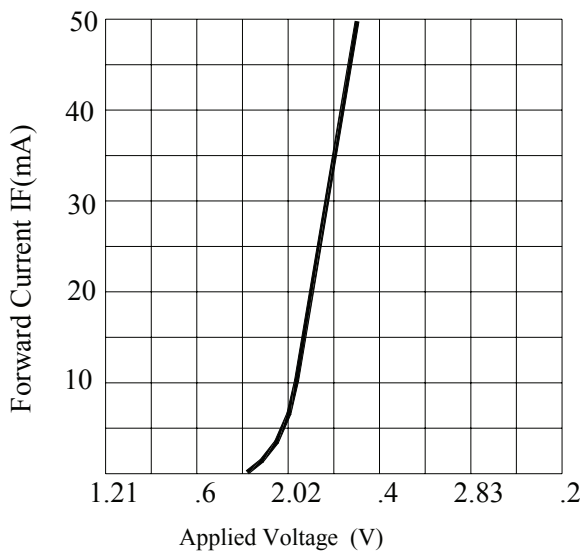
Parameter	Symbol	Rating	Unit
Power Dissipation	P_D	78	mW
Reverse Voltage	V_R	5	V
D.C. Forward Current	I_f	30	mA
Reverse (Leakage) Current	I_r	100	μA
Peak Current (1 / 10 Duty Cycle, 0.1ms Pulse Width)	I_f (Peak)	100	mA
Operating Temperature Range	T_{opr}	-25 to +85	$^\circ\text{C}$
Storage Temperature Range	T_{stg}	-40 to +100	$^\circ\text{C}$
Soldering Temperature (1.6mm from body)	T_{sol}	Dip Soldering: 260°C for 5sec. Hand Soldering: 350°C for 3sec.	

Electrical & Optical Characteristics:

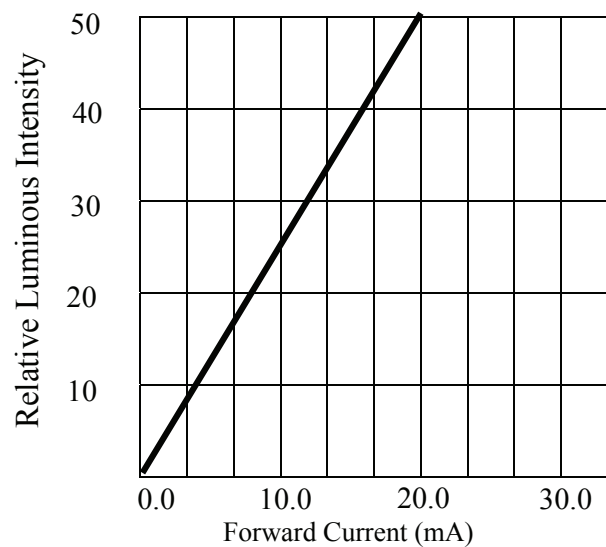
Parameter	Symbol	Condition	Min.	Typ.	Max.	Unit
Luminous Intensity	I_v	$I_f = 20\text{mA}$	20	50		mcd
Forward Voltage	V_f	$I_f = 20\text{mA}$		2.1	2.6	V
Peak Wavelength	λ_p	$I_f = 20\text{mA}$		567		nm
Dominant Wavelength	λ_d	$I_f = 20\text{mA}$		572		nm
Reverse (Leakage) Current	I_r	$V_r = 5\text{V}$			100	μA
Viewing Angle	$2\theta_{1/2}$	$I_f = 20\text{mA}$		30		deg
Spectrum Line Halfwidth	$\Delta\lambda$	$I_f = 20\text{mA}$		30		nm

Notes: 1. The data is tested by IS tester.
2. Customer's special requirements are also welcome.

Typical Electrical & Optical Characteristics Curves:



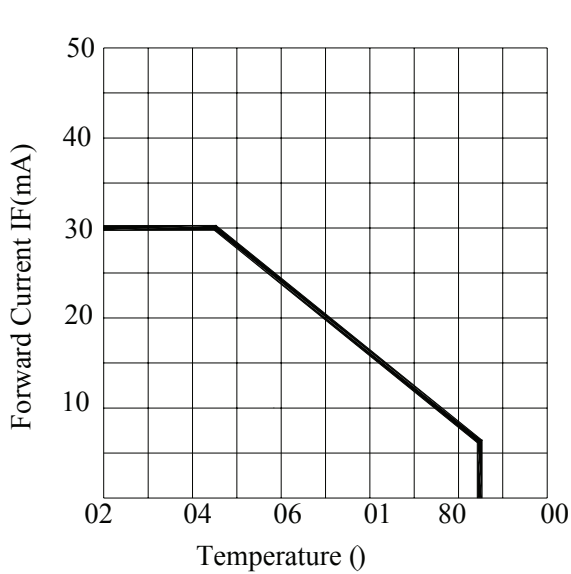
FORWARD CURRENT VS. APPLIED VOLTAGE



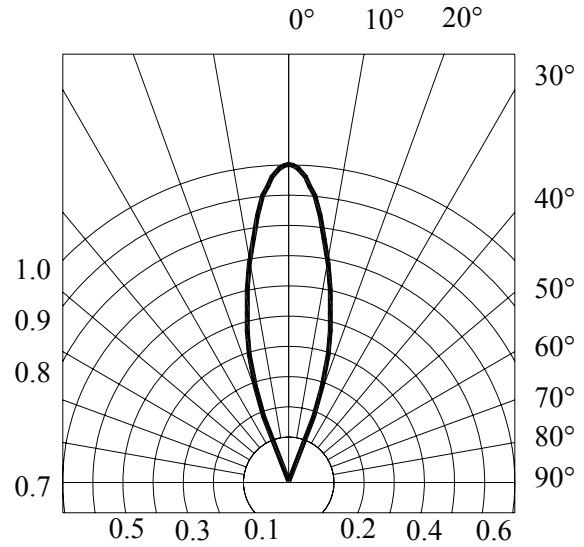
FORWARD CURRENT VS. LUMINOUS INTENSITY

3mm Round LED Lamp

multicomp PRO



FORWARD CURRENT VS. AMBIENT TEMPERATURE



RADIATION DIAGRAM

Part Number Table

LED Chip		Lens Colour	Part Number
Material	Emitting Colour		
GaP / GaP	Green	Green clear	703-0087

Important Notice : This data sheet and its contents (the "Information") belong to the members of the AVNET group of companies (the "Group") or are licensed to it. No licence is granted for the use of it other than for information purposes in connection with the products to which it relates. No licence of any intellectual property rights is granted. The Information is subject to change without notice and replaces all data sheets previously supplied. The Information supplied is believed to be accurate but the Group assumes no responsibility for its accuracy or completeness, any error in or omission from it or for any use made of it. Users of this data sheet should check for themselves the Information and the suitability of the products for their purpose and not make any assumptions based on information included or omitted. Liability for loss or damage resulting from any reliance on the Information or use of it (including liability resulting from negligence or where the Group was aware of the possibility of such loss or damage arising) is excluded. This will not operate to limit or restrict the Group's liability for death or personal injury resulting from its negligence. Multicomp Pro is the registered trademark of Premier Farnell Limited 2019.

Newark.com/multicomp-pro
 Farnell.com/multicomp-pro
 Element14.com/multicomp-pro

multicomp PRO